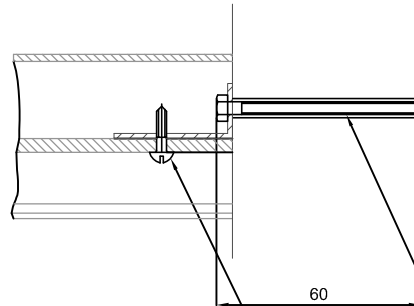
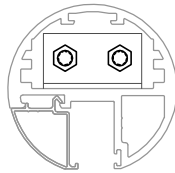


# Clearviews - System 1 wall brackets

Hidden bracket -  
For use when both  
ends of a run are  
not between walls

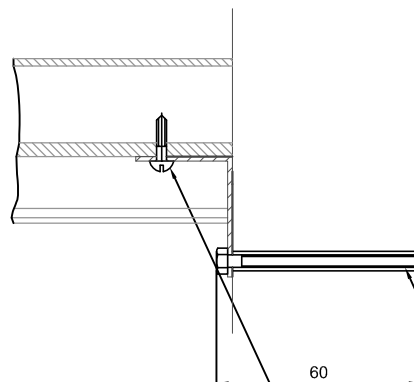
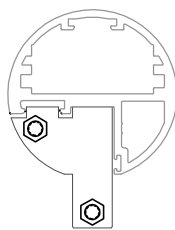


stainless steel phillips screw (pen)

10X25

Rawl plug, M8 stud Chemically fastened OR Similar

Visible bracket -  
For use when both  
ends of a run are  
between walls



stainless steel phillips screw (pen)

10X25

Rawl plug, M8 stud Chemically fastened OR Similar

\_\_\_\_\_  
Approved by (signature)

\_\_\_\_\_  
Date

\_\_\_\_\_  
Print Name